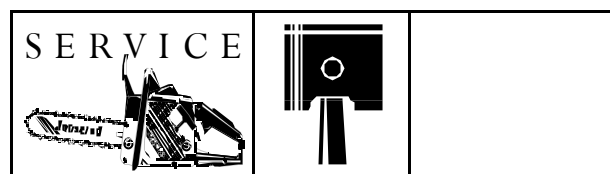


Jonsered

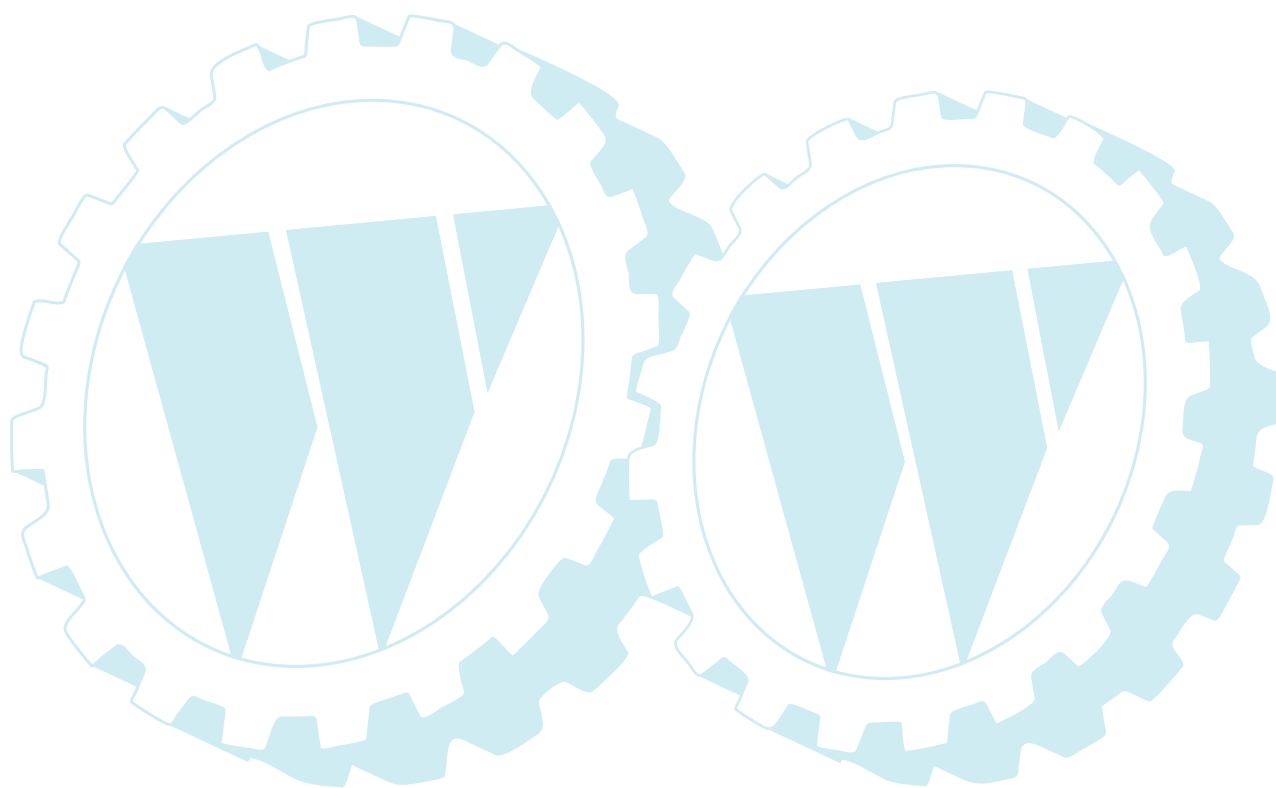


Cutting Equipment, 2003-09

Not available as printed IPL

Cutting Equipment

Guide Bars and Chains



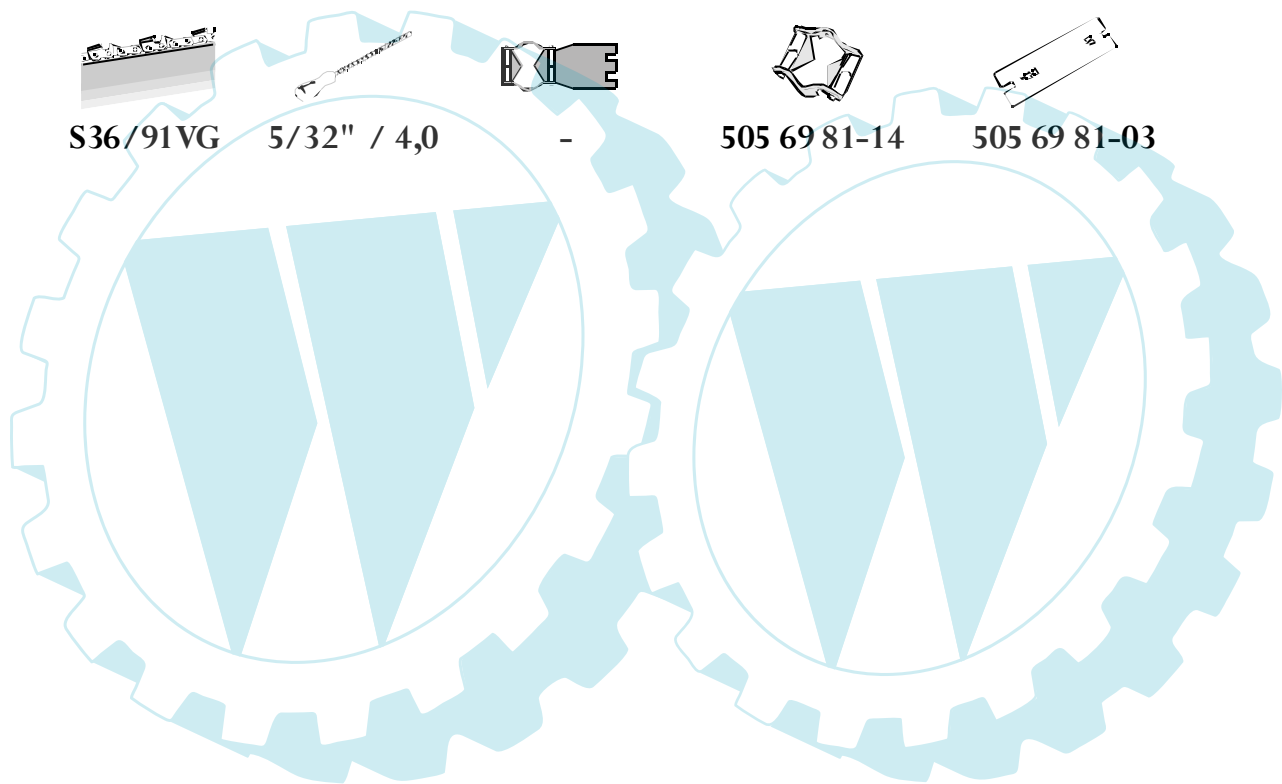
CS 2115 EL CS 2118 EL



Bar Mounting: small SMS (095)

Bar length inches/cm	Chain pitch inches	Gauge inches/mm	Drive links	Bar part number	Chain part number	Chain type Jonsered/ Oregon
14 in. / 35 cm	3/8"	.050 / 1,3	52	501 85 53-52	504 57 44-52	S36/91VG
16 in. / 40 cm	3/8"	.050 / 1,3	56	501 85 53-56	504 57 44-56	S36/91VG

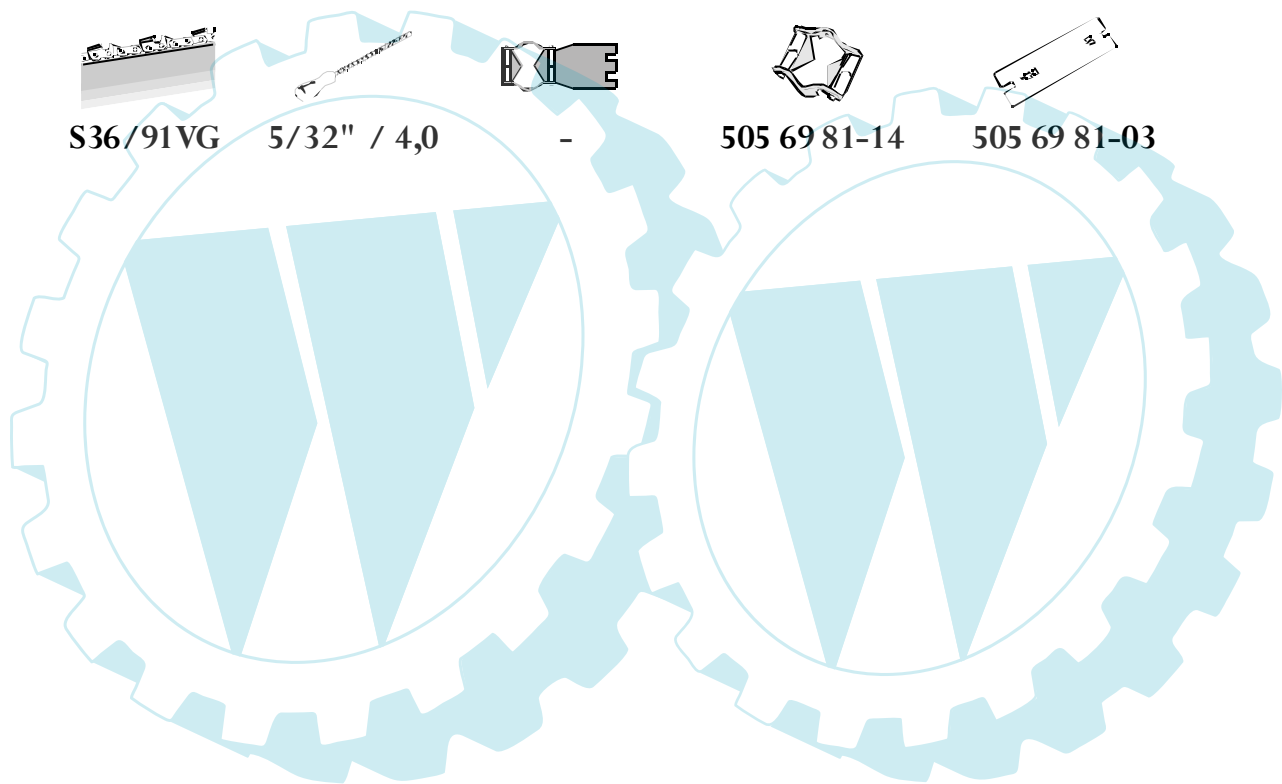
SN = Sprocket nose, laminated bar



CS 2120 EL

Bar Mounting: small SMS (095)

Bar length inches/cm	Chain pitch inches	Gauge inches/mm	Drive links	Bar part number	Chain part number	Chain type Jonsered/ Oregon
SN = Sprocket nose, laminated bar						
14 in. / 35 cm	3/8"	.050 / 1,3	52	501 85 53-52	504 57 44-52	S36/91VG
16 in. / 40 cm	3/8"	.050 / 1,3	56	501 85 53-56	504 57 44-56	S36/91VG



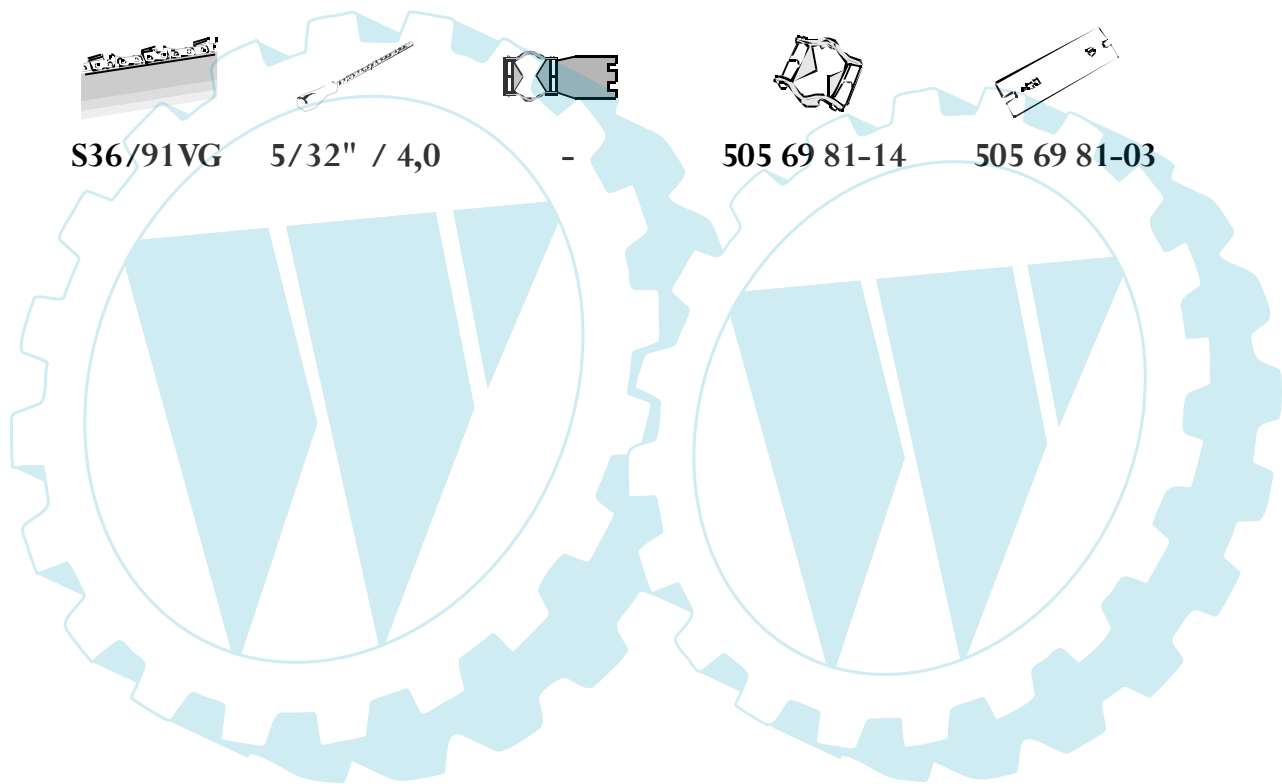
CS 2033 T



Bar Mounting: small SMS (095)

Bar length inches/cm	Chain pitch inches	Gauge inches/mm	Drive links	Bar part number	Chain part number	Chain type Jonsered/ Oregon
12 in. / 30 cm	3/8"	.050 / 1,3	45	501 92 29-45	504 57 44-45	S36/91VG
14 in. / 35 cm	3/8"	.050 / 1,3	52	501 92 29-52	504 57 44-52	S36/91VG

SN = Sprocket nose, laminated bar

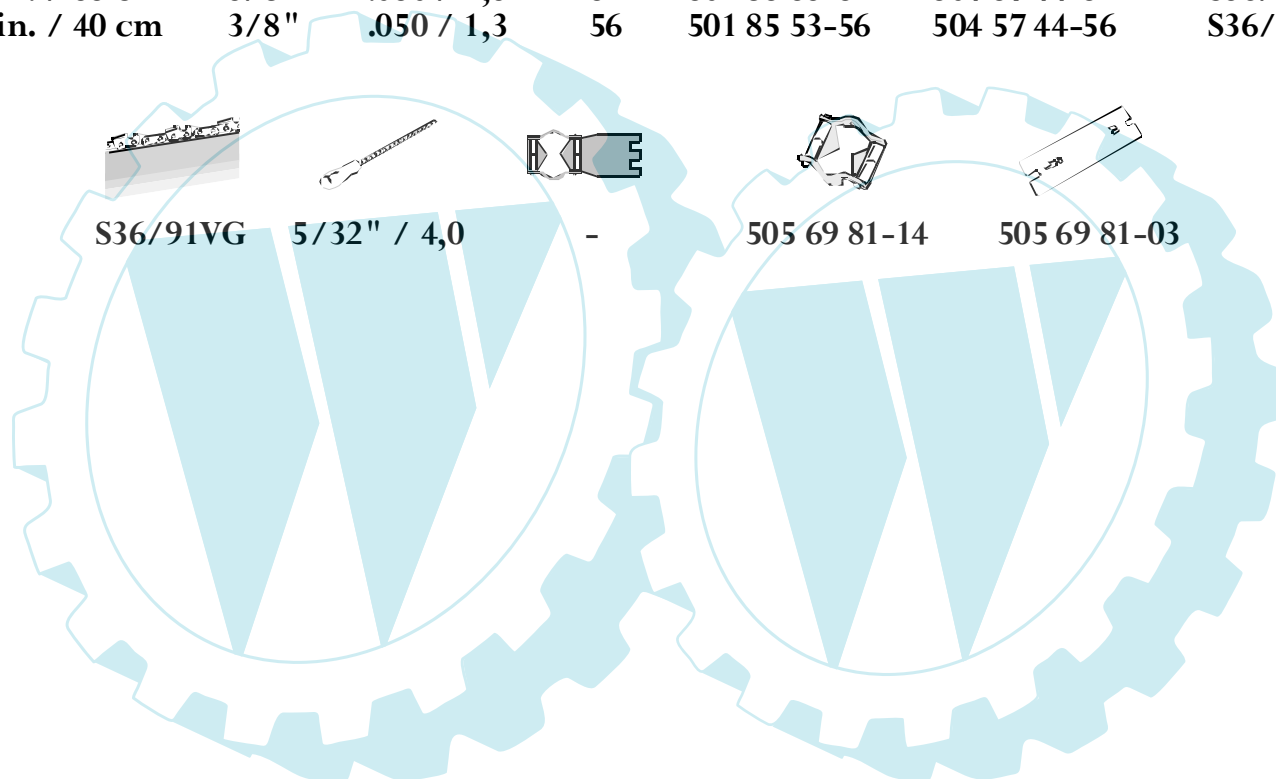


CS 2035 CS 2037



Bar Mounting: small SMS (095)

Bar length inches/cm	Chain pitch inches	Gauge inches/mm	Drive links	Bar part number	Chain part number	Chain type Jonsered/ Oregon
SN = Sprocket nose, laminated bar						
12 in. / 30 cm	3/8"	.050 / 1,3	45	501 92 29-45	504 57 44-45	S36/91VG
14 in. / 35 cm	3/8"	.050 / 1,3	52	501 92 29-52	504 57 44-52	S36/91VG
14 in. / 35 cm	3/8"	.050 / 1,3	52	501 85 53-52	504 57 44-52	S36/91VG
16 in. / 40 cm	3/8"	.050 / 1,3	56	501 85 53-56	504 57 44-56	S36/91VG

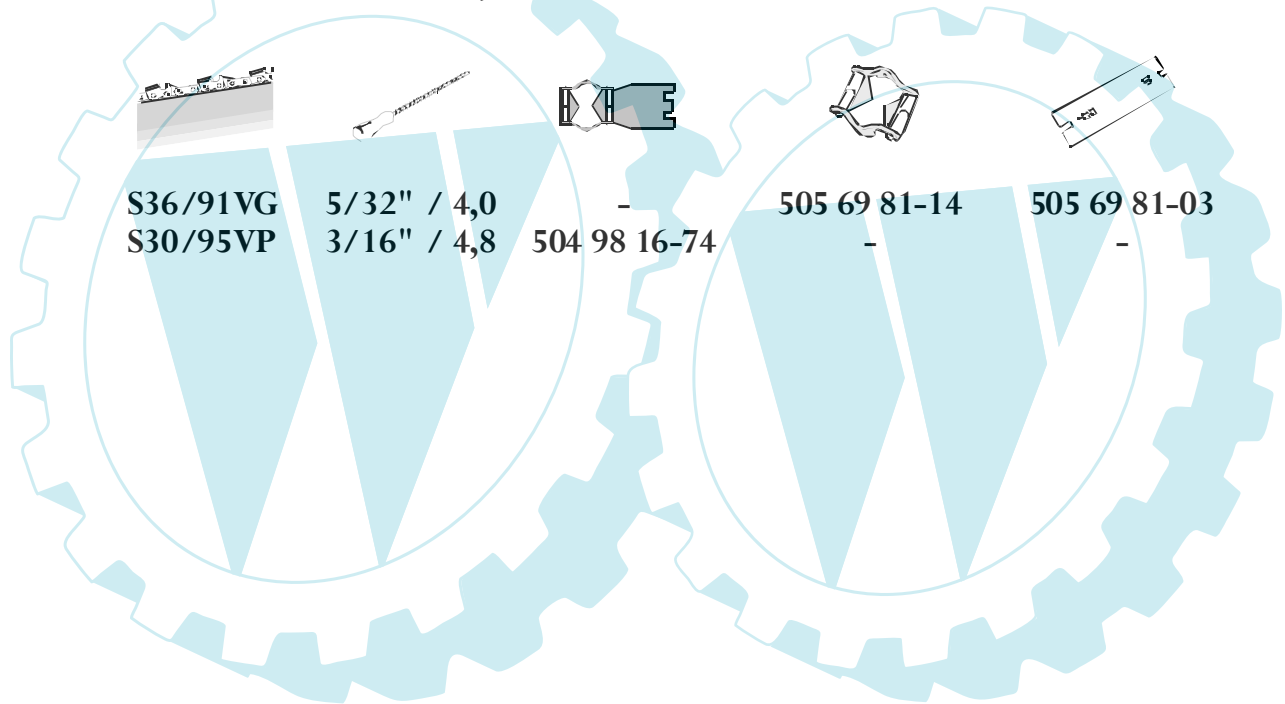


CS 2036 CS 2040



Bar Mounting: small SMS (095)

Bar length inches/cm	Chain pitch inches	Gauge inches/mm	Drive links	Bar part number	Chain part number	Chain type Jonsered/ Oregon
SN = Sprocket nose, laminated bar						
14 in. / 35 cm	3/8"	.050 / 1,3	52	501 85 53-52	504 57 44-52	S36/91VG
16 in. / 40 cm	3/8"	.050 / 1,3	56	501 85 53-56	504 57 44-56	S36/91VG
13 in. / 33 cm	.325"	.050 / 1,3	56	508 92 63-56	504 57 37-56	S30/95VP
15 in. / 38 cm	.325"	.050 / 1,3	64	508 92 63-64	504 57 37-64	S30/95VP
16 in. / 40 cm	.325"	.050 / 1,3	66	508 92 63-66	504 57 37-66	S30/95VP

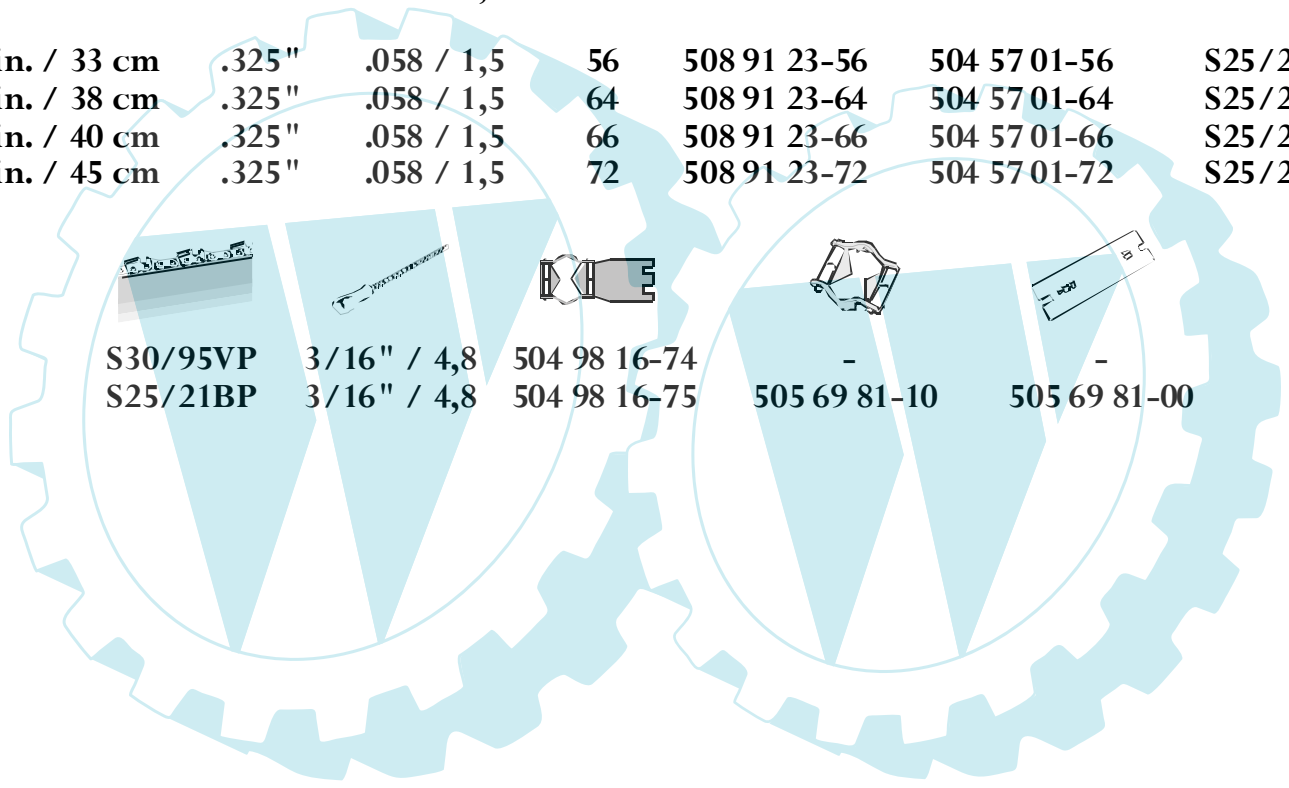


2041, 2045 2050



Bar Mounting: small SMS (095)

Bar length inches/cm	Chain pitch inches	Gauge inches/mm	Drive links	Bar part number	Chain part number	Chain type Jonsered/ Oregon
SN = Sprocket nose, laminated bar						
13 in. / 33 cm	.325"	.050 / 1,3	56	508 92 63-56	504 57 37-56	S30/95VP
15 in. / 38 cm	.325"	.050 / 1,3	64	508 92 63-64	504 57 37-64	S30/95VP
16 in. / 40 cm	.325"	.050 / 1,3	66	508 92 63-66	504 57 37-66	S30/95VP
18 in. / 45 cm	.325"	.050 / 1,3	72	508 92 63-72	504 57 37-72	S30/95VP
13 in. / 33 cm	.325"	.058 / 1,5	56	508 91 23-56	504 57 01-56	S25/21BP
15 in. / 38 cm	.325"	.058 / 1,5	64	508 91 23-64	504 57 01-64	S25/21BP
16 in. / 40 cm	.325"	.058 / 1,5	66	508 91 23-66	504 57 01-66	S25/21BP
18 in. / 45 cm	.325"	.058 / 1,5	72	508 91 23-72	504 57 01-72	S25/21BP



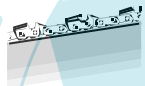
S30/95VP	3/16" / 4,8	504 98 16-74	-	-
S25/21BP	3/16" / 4,8	504 98 16-75	505 69 81-10	505 69 81-00

CS 2141, CS 2145 CS 2150



Bar Mounting: small SMS (095)

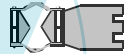
Bar length inches/cm	Chain pitch inches	Gauge inches/mm	Drive links	Bar part number	Chain part number	Chain type Jonsered/ Oregon
SN = Sprocket nose, laminated bar						
13 in. / 33 cm	.325"	.050 / 1,3	56	508 92 63-56	504 57 37-56	S30/95VP
15 in. / 38 cm	.325"	.050 / 1,3	64	508 92 63-64	504 57 37-64	S30/95VP
16 in. / 40 cm	.325"	.050 / 1,3	66	508 92 63-66	504 57 37-66	S30/95VP
18 in. / 45 cm	.325"	.050 / 1,3	72	508 92 63-72	504 57 37-72	S30/95VP
13 in. / 33 cm	.325"	.058 / 1,5	56	508 91 23-56	504 57 01-56	S25/21BP
15 in. / 38 cm	.325"	.058 / 1,5	64	508 91 23-64	504 57 01-64	S25/21BP
16 in. / 40 cm	.325"	.058 / 1,5	66	508 91 23-66	504 57 01-66	S25/21BP
18 in. / 45 cm	.325"	.058 / 1,5	72	508 91 23-72	504 57 01-72	S25/21BP



S30/95VP
S25/21BP



3/16" / 4,8
3/16" / 4,8



504 98 16-74
504 98 16-75



-
505 69 81-10

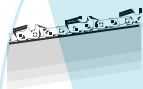


-
505 69 81-00

CS 2147, CS 2149 CS 2152, CS 2156 **Jonsered**

Bar Mounting: small SMS (095)

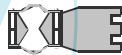
Bar length inches/cm	Chain pitch inches	Gauge inches/mm	Drive links	Bar part number	Chain part number	Chain type Jonsered/ Oregon
SN = Sprocket nose, laminated bar						
13 in. / 33 cm	.325"	.050 / 1,3	56	508 92 63-56	504 57 37-56	S30/95VP
15 in. / 38 cm	.325"	.050 / 1,3	64	508 92 63-64	504 57 37-64	S30/95VP
16 in. / 40 cm	.325"	.050 / 1,3	66	508 92 63-66	504 57 37-66	S30/95VP
18 in. / 45 cm	.325"	.050 / 1,3	72	508 92 63-72	504 57 37-72	S30/95VP
20 in. / 50 cm	.325"	.050 / 1,3	80	508 92 63-80	504 57 37-80	S30/95VP
13 in. / 33 cm	.325"	.058 / 1,5	56	508 91 23-56	504 57 01-56	S25/21BP
15 in. / 38 cm	.325"	.058 / 1,5	64	508 91 23-64	504 57 01-64	S25/21BP
16 in. / 40 cm	.325"	.058 / 1,5	66	508 91 23-66	504 57 01-66	S25/21BP
18 in. / 45 cm	.325"	.058 / 1,5	72	508 91 23-72	504 57 01-72	S25/21BP
20 in. / 50 cm	.325"	.058 / 1,5	80	508 91 23-80	504 57 01-80	S25/21BP



S30/95VP
S25/21BP



3/16" / 4,8
3/16" / 4,8



504 98 16-74
504 98 16-75



-
505 69 81-10

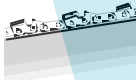

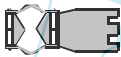

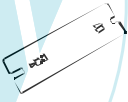


-
505 69 81-00

2054
2055

Jonsered

Bar Mounting: small SMS (095)

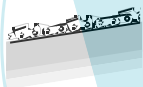
Bar length inches/cm	Chain pitch inches	Gauge inches/mm	Drive links	Bar part number	Chain part number	Chain type Jonsered/ Oregon
SN = Sprocket nose, laminated bar						
13 in. / 33 cm	.325"	.050 / 1,3	56	508 92 63-56	504 57 37-56	S30/95VP
15 in. / 38 cm	.325"	.050 / 1,3	64	508 92 63-64	504 57 37-64	S30/95VP
16 in. / 40 cm	.325"	.050 / 1,3	66	508 92 63-66	504 57 37-66	S30/95VP
18 in. / 45 cm	.325"	.050 / 1,3	72	508 92 63-72	504 57 37-72	S30/95VP
20 in. / 50 cm	.325"	.050 / 1,3	80	508 92 63-80	504 57 37-80	S30/95VP
13 in. / 33 cm	.325"	.058 / 1,5	56	508 91 23-56	504 57 01-56	S25/21BP
15 in. / 38 cm	.325"	.058 / 1,5	64	508 91 23-64	504 57 01-64	S25/21BP
16 in. / 40 cm	.325"	.058 / 1,5	66	508 91 23-66	504 57 01-66	S25/21BP
18 in. / 45 cm	.325"	.058 / 1,5	72	508 91 23-72	504 57 01-72	S25/21BP
20 in. / 50 cm	.325"	.058 / 1,5	80	508 91 23-80	504 57 01-80	S25/21BP
RSN = Replaceable sprocket nose, solid bar						
18 in. / 45 cm	3/8"	.058 / 1,5	68	501 95 78-68	504 57 03-68	S42/73LP
						
	S30/95VP	3/16" / 4,8	504 98 16-74	-	-	
	S25/21BP	3/16" / 4,8	504 98 16-75	505 69 81-10	505 69 81-00	
	S42/73LP	7/32" / 5,5	505 69 81-07	504 98 16-44	505 69 81-01	

CS 2159
CS 2163

Jonsered

Bar Mounting: small SMS (095)

Bar length inches/cm	Chain pitch inches	Gauge inches/mm	Drive links	Bar part number	Chain part number	Chain type Jonsered/ Oregon
SN = Sprocket nose, laminated bar						
13 in. / 33 cm	.325"	.058 / 1,5	56	508 91 23-56	504 57 01-56	S25/21BP
15 in. / 38 cm	.325"	.058 / 1,5	64	508 91 23-64	504 57 01-64	S25/21BP
16 in. / 40 cm	.325"	.058 / 1,5	66	508 91 23-66	504 57 01-66	S25/21BP
18 in. / 45 cm	.325"	.058 / 1,5	72	508 91 23-72	504 57 01-72	S25/21BP
20 in. / 50 cm	.325"	.058 / 1,5	80	508 91 23-80	504 57 01-80	S25/21BP
15 in. / 38 cm	3/8"	.058 / 1,5	56	508 91 43-56	504 57 03-56	S42/73LP
16 in. / 40 cm	3/8"	.058 / 1,5	60	508 91 43-60	504 57 03-60	S42/73LP
18 in. / 45 cm	3/8"	.058 / 1,5	68	508 91 43-68	504 57 03-68	S42/73LP
RSN = Replaceable sprocket nose, solid bar						
18 in. / 45 cm	3/8"	.058 / 1,5	68	501 95 78-68	504 57 03-68	S42/73LP



S25/21BP
S42/73LP

3/16" / 4,8
7/32" / 5,5

504 98 16-75
505 69 81-07

505 69 81-10
504 98 16-44

505 69 81-00
505 69 81-01

CS 2165 CS 2171



Bar Mounting: Big SMS (009)

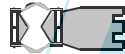
Bar length inches/cm	Chain pitch inches	Gauge inches/mm	Drive links	Bar part number	Chain part number	Chain type Jonsered/ Oregon
SN = Sprocket nose, laminated bar						
15 in. / 38 cm	3/8"	.058 / 1,5	56	508 91 33-56	504 57 03-56	S42/73LP
16 in. / 40 cm	3/8"	.058 / 1,5	60	508 91 33-60	504 57 03-60	S42/73LP
18 in. / 45 cm	3/8"	.058 / 1,5	68	508 91 33-68	504 57 03-68	S42/73LP
20 in. / 50 cm	3/8"	.058 / 1,5	72	501 95 61-72	504 57 03-72	S42/73LP
RSN = Replaceable sprocket nose, solid bar						
18 in. / 45 cm	3/8"	.058 / 1,5	68	501 95 70-68	504 57 03-68	S42/73LP
20 in. / 50 cm	3/8"	.058 / 1,5	72	501 95 70-72	504 57 03-72	S42/73LP
24 in. / 60 cm	3/8"	.058 / 1,5	84	501 95 70-84	504 57 03-84	S42/73LP
28 in. / 70 cm	3/8"	.058 / 1,5	92	501 95 70-92	504 57 03-92	S42/73LP
HN = Hard nose, solid bar						
18 in. / 45 cm	3/8"	.058 / 1,5	68	501 95 68-68	504 57 03-68	S42/73LP
20 in. / 50 cm	3/8"	.058 / 1,5	72	501 95 68-72	504 57 03-72	S42/73LP
24 in. / 60 cm	3/8"	.058 / 1,5	84	501 95 68-84	504 57 03-84	S42/73LP
28 in. / 70 cm	3/8"	.058 / 1,5	92	501 95 68-92	504 57 03-92	S42/73LP



S42/73LP



7/32" / 5,5



505 69 81-07



504 98 16-44



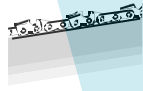
505 69 81-01

**2077
2083**

Jonsered

Bar Mounting: Big SMS (009)

Bar length inches/cm	Chain pitch inches	Gauge inches/mm	Drive links	Bar part number	Chain part number	Chain type Jonsered/ Oregon
SN = Sprocket nose, laminated bar						
15 in. / 38 cm	3/8"	.058 / 1,5	56	508 91 33-56	504 57 03-56	S42/73LP
16 in. / 40 cm	3/8"	.058 / 1,5	60	508 91 33-60	504 57 03-60	S42/73LP
18 in. / 45 cm	3/8"	.058 / 1,5	68	508 91 33-68	504 57 03-68	S42/73LP
20 in. / 50 cm	3/8"	.058 / 1,5	72	501 95 61-72	504 57 03-72	S42/73LP
RSN = Replaceable sprocket nose, solid bar						
18 in. / 45 cm	3/8"	.058 / 1,5	68	501 95 70-68	504 57 03-68	S42/73LP
20 in. / 50 cm	3/8"	.058 / 1,5	72	501 95 70-72	504 57 03-72	S42/73LP
24 in. / 60 cm	3/8"	.058 / 1,5	84	501 95 70-84	504 57 03-84	S42/73LP
28 in. / 70 cm	3/8"	.058 / 1,5	92	501 95 70-92	504 57 03-92	S42/73LP
HN = Hard nose, solid bar						
18 in. / 45 cm	3/8"	.058 / 1,5	68	501 95 68-68	504 57 03-68	S42/73LP
20 in. / 50 cm	3/8"	.058 / 1,5	72	501 95 68-72	504 57 03-72	S42/73LP
24 in. / 60 cm	3/8"	.058 / 1,5	84	501 95 68-84	504 57 03-84	S42/73LP
28 in. / 70 cm	3/8"	.058 / 1,5	92	501 95 68-92	504 57 03-92	S42/73LP



S42/73LP



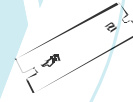
7/32" / 5,5



505 69 81-07



504 98 16-44



505 69 81-01

CS 2186



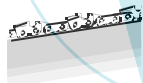



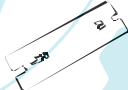
Bar Mounting: Big SMS (009)

Bar length inches/cm	Chain pitch inches	Gauge inches/mm	Drive links	Bar part number	Chain part number	Chain type Jonsered/ Oregon
SN = Sprocket nose, laminated bar						
15 in. / 38 cm	3/8"	.058 / 1,5	56	508 91 33-56	504 57 03-56	S42/73LP
16 in. / 40 cm	3/8"	.058 / 1,5	60	508 91 33-60	504 57 03-60	S42/73LP
18 in. / 45 cm	3/8"	.058 / 1,5	68	508 91 33-68	504 57 03-68	S42/73LP
20 in. / 50 cm	3/8"	.058 / 1,5	72	501 95 61-72	504 57 03-72	S42/73LP
RSN = Replaceable sprocket nose, solid bar						
18 in. / 45 cm	3/8"	.058 / 1,5	68	501 95 70-68	504 57 03-68	S42/73LP
20 in. / 50 cm	3/8"	.058 / 1,5	72	501 95 70-72	504 57 03-72	S42/73LP
24 in. / 60 cm	3/8"	.058 / 1,5	84	501 95 70-84	504 57 03-84	S42/73LP
28 in. / 70 cm	3/8"	.058 / 1,5	92	501 95 70-92	504 57 03-92	S42/73LP
HN = Hard nose, solid bar						
18 in. / 45 cm	3/8"	.058 / 1,5	68	501 95 68-68	504 57 03-68	S42/73LP
20 in. / 50 cm	3/8"	.058 / 1,5	72	501 95 68-72	504 57 03-72	S42/73LP
24 in. / 60 cm	3/8"	.058 / 1,5	84	501 95 68-84	504 57 03-84	S42/73LP
28 in. / 70 cm	3/8"	.058 / 1,5	92	501 95 68-92	504 57 03-92	S42/73LP
30 in. / 75 cm S64/27	.404"	.063 / 1,6	92	501 95 82-92	504 57 06-92	S64/27

S42/73LP	7/32" / 5,5	505 69 81-07	504 98 16-44	505 69 81-01
S64/27	7/32" / 5,5	—	505 69 81-15	505 69 81-02

Bar Mounting: Big SMS (009)

Bar length inches/cm	Chain pitch inches	Gauge inches/mm	Drive links	Bar part number	Chain part number	Chain type Jonsered/ Oregon
SN = Sprocket nose, laminated bar						
15 in. / 38 cm	3/8"	.058 / 1,5	56	508 91 33-56	504 57 03-56	S42/73LP
16 in. / 40 cm	3/8"	.058 / 1,5	60	508 91 33-60	504 57 03-60	S42/73LP
18 in. / 45 cm	3/8"	.058 / 1,5	68	508 91 33-68	504 57 03-68	S42/73LP
20 in. / 50 cm	3/8"	.058 / 1,5	72	501 95 61-72	504 57 03-72	S42/73LP
RSN = Replaceable sprocket nose, solid bar						
18 in. / 45 cm	3/8"	.058 / 1,5	68	501 95 70-68	504 57 03-68	S42/73LP
20 in. / 50 cm	3/8"	.058 / 1,5	72	501 95 70-72	504 57 03-72	S42/73LP
24 in. / 60 cm	3/8"	.058 / 1,5	84	501 95 70-84	504 57 03-84	S42/73LP
28 in. / 70 cm	3/8"	.058 / 1,5	92	501 95 70-92	504 57 03-92	S42/73LP
HN = Hard nose, solid bar						
18 in. / 45 cm	3/8"	.058 / 1,5	68	501 95 68-68	504 57 03-68	S42/73LP
20 in. / 50 cm	3/8"	.058 / 1,5	72	501 95 68-72	504 57 03-72	S42/73LP
24 in. / 60 cm	3/8"	.058 / 1,5	84	501 95 68-84	504 57 03-84	S42/73LP
28 in. / 70 cm	3/8"	.058 / 1,5	92	501 95 68-92	504 57 03-92	S42/73LP
30 in. / 75 cm	.404"	.063 / 1,6	92	501 95 82-92	504 57 06-92	S64/27
36 in. / 90 cm	.404"	.063 / 1,6	104	501 95 82-04	504 57 06-04	S64/27

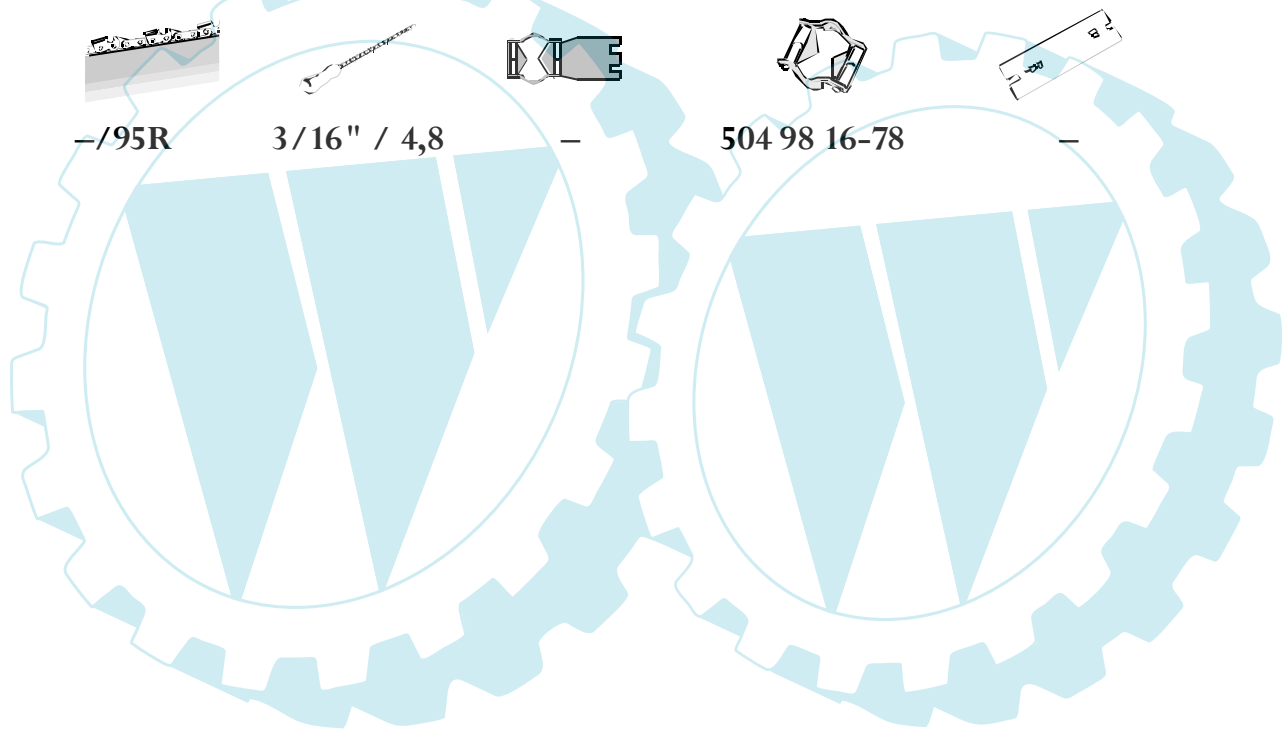
				
S42/73LP	7/32" / 5,5	505 69 81-07	504 98 16-44	505 69 81-01
S64/27	7/32" / 5,5	—	505 69 81-15	505 69 81-02

SM 2186 SM 2055 E



Bar Mounting: Big SMS (009)

Bar length inches/cm	Chain pitch inches	Gauge inches/mm	Drive links	Bar part number	Chain part number	Chain type Jonsered/ Oregon
SN = Sprocket nose, laminated bar						
16 in. / 40 cm	3/8"	.050 / 1,3	60	508 60 01-62	508 60 90-60	
20 in. / 50 cm	3/8"	.050 / 1,3	72	508 60 02-02	508 60 90-72	
16 in. / 40 cm	.325"	.050 / 1,3	67	501 95 91-67	503 30 70-67	-/95R
20 in. / 50 cm	.325"	.050 / 1,3	81	501 95 91-81	503 30 70-81	-/95R

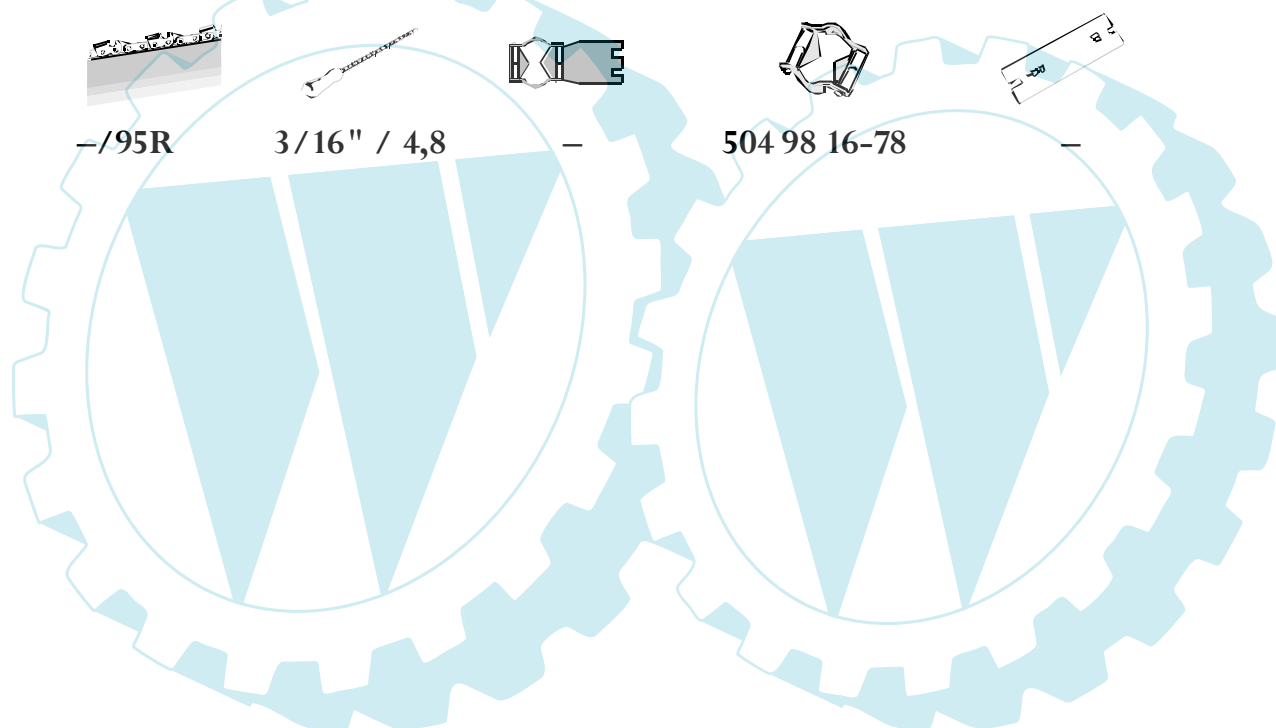


600+
600+ EL

Jonsered

Bar Mounting: Big SMS (009)

Bar length inches/cm	Chain pitch inches	Gauge inches/mm	Drive links	Bar part number	Chain part number	Chain type Jonsered/ Oregon
SN = Sprocket nose, laminated bar						
16 in. / 40 cm	3/8"	.050 / 1,3	60	508 60 01-62	508 60 90-60	
20 in. / 50 cm	3/8"	.050 / 1,3	72	508 60 02-02	508 60 90-72	
16 in. / 40 cm	.325"	.050 / 1,3	67	501 95 91-67	503 30 70-67	-/95R
20 in. / 50 cm	.325"	.050 / 1,3	81	501 95 91-81	503 30 70-81	-/95R



BAR GUARD

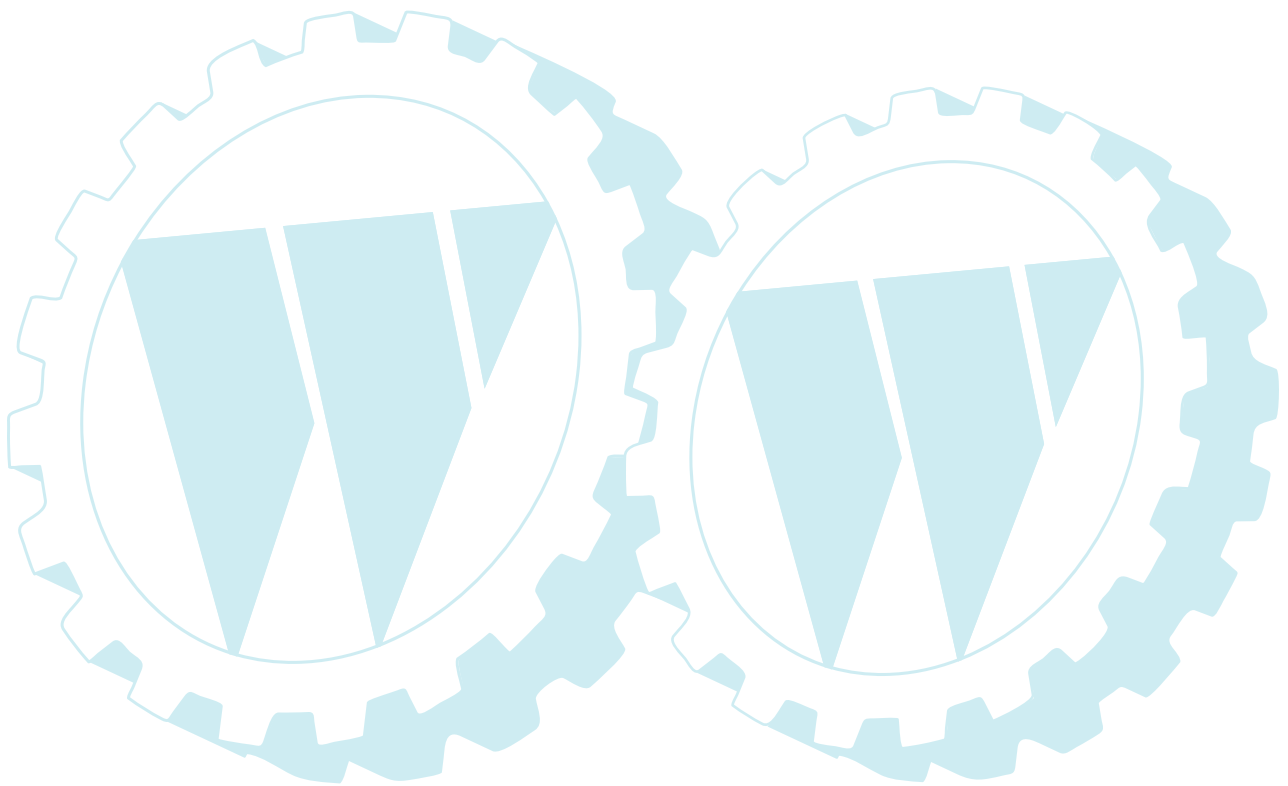
Jonsered

Made from impact-resistant plastic.

13" - 16" Order no. 501 83 44-02

18" - 22" Order no. 501 83 44-05

24" - 28" Order no. 501 83 45-02

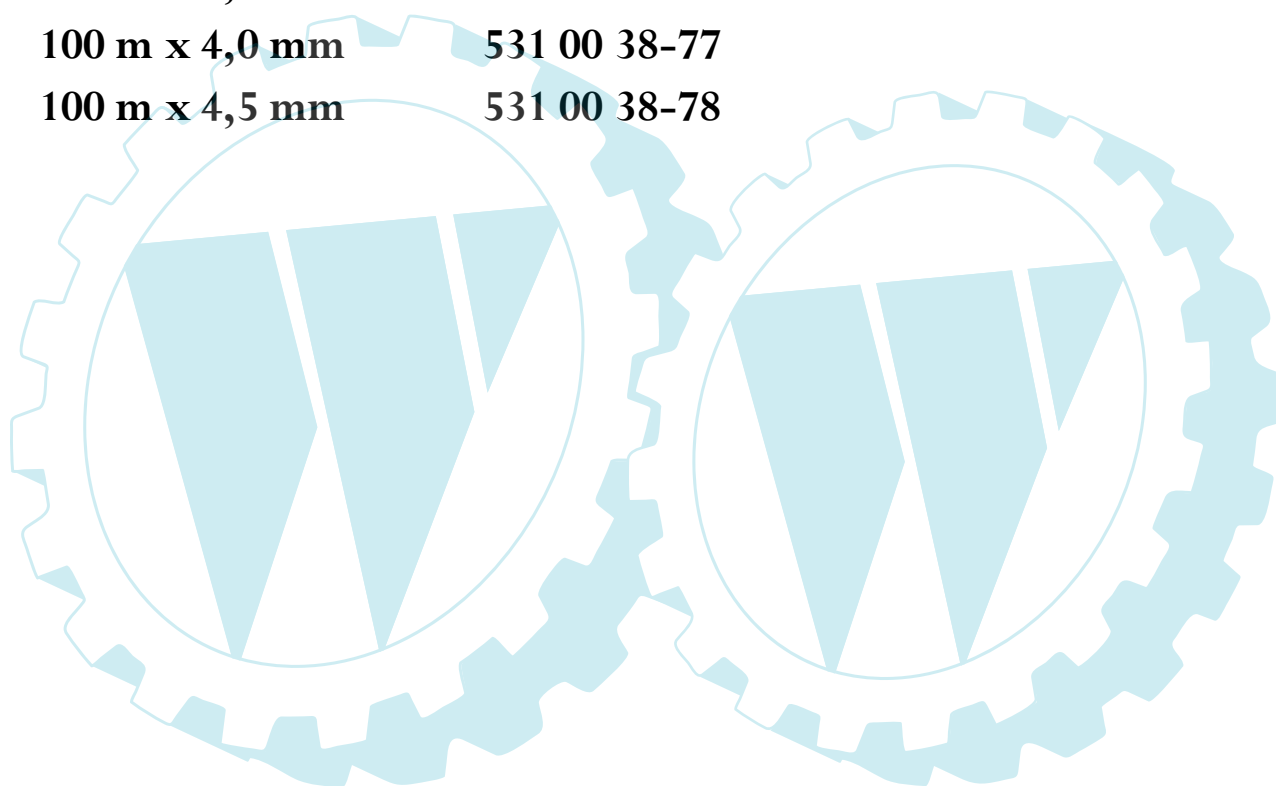


Starter Cord

Jonsered

Starter cord made off tough polyester/cotton cord.

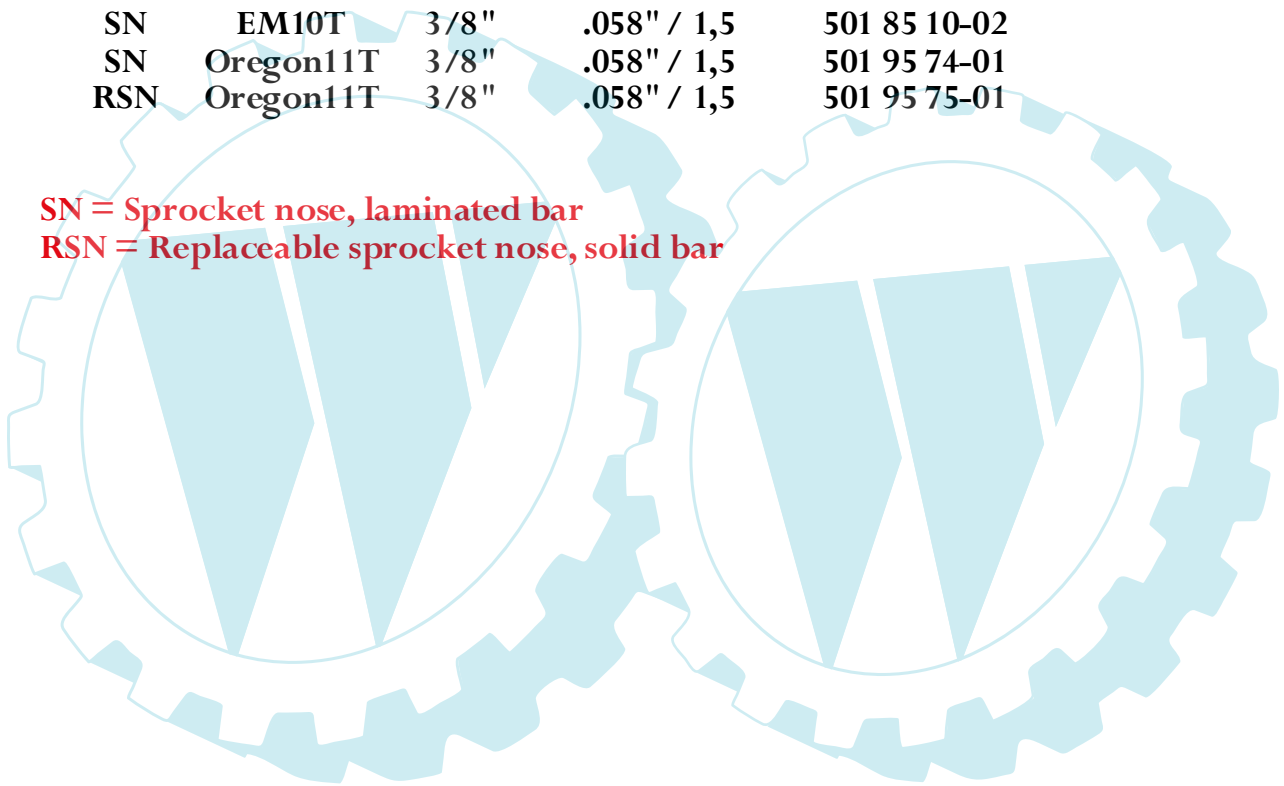
	Order no.
100 m x 3,0 mm	531 00 38-75
100 m x 3,5 mm	531 00 38-76
100 m x 4,0 mm	531 00 38-77
100 m x 4,5 mm	531 00 38-78



Nose Sprocket **Jonsered**

Type of Sprocket	Bar type	Chain pitch inches	Gauge inches/mm	Part number
SN	EM10T	.325"	.050" / 1,3	501 85 10-05
SN	EM10T	.325"	.058" / 1,5	501 85 10-01
SN	Oregon10T	.325"	.058" / 1,5	501 95 72-01
SN	EM10T	3/8"	.058" / 1,5	501 85 10-02
SN	Oregon11T	3/8"	.058" / 1,5	501 95 74-01
RSN	Oregon11T	3/8"	.058" / 1,5	501 95 75-01

SN = Sprocket nose, laminated bar
RSN = Replaceable sprocket nose, solid bar



Chain Parts



Chain Type inches	Chain pitch	Gauge inches/mm left	Cutter link right	Cutter link
S36 /91VG	3/8"	.050" /1,3	501 71 77-01	501 71 76-01
S30 /95VP	.325"	.050" /1,3	501 84 75-04	501 84 76-04
S25 /21BP	.325"	.058" /1,5	501 84 75-03	501 84 76-03
S42 /73LP	3/8"	.058" /1,5	501 84 91-01	501 84 92-01
S64 /27	.404"	.063" /1,6	505 36 60-20	505 36 60-10

Chain Type	Chain pitch inches	Gauge inches/mm	Tie link with rivet	Tie link without rivet
S36 /91VG	3/8"	.050" /1,3	501 84 81-05	501 84 78-05
S30 /95VP	.325"	.050" /1,3	501 84 80-08	501 84 77-07
S25 /21BP	.325"	.058" /1,5	501 84 80-05	501 84 77-03
S42 /73LP	3/8"	.058" /1,5	501 84 81-04	501 84 78-04
S64 /27	.404"	.063" /1,6	501 84 82-02	501 84 79-02

Chain Type	Chain pitch inches	Gauge inches/mm	Drive link	Bumber drive link
S36 /91VG	3/8"	.050" /1,3	501 84 84-03	-
S30 /95VP	.325"	.050" /1,3	501 84 83-05	501 84 93-03
S25 /21BP	.325"	.058" /1,5	501 84 83-04	501 84 93-02
S42 /73LP	3/8"	.058" /1,5	501 84 84-05	501 84 86-02
S64 /27	.404"	.063" /1,6	501 84 85-01	501 84 87-01

Model History



Please use
bar and chain
combination
for model

Old
Model

370, 380	→	2036,2040
45, 451, 452	→	2054, 2055
450, 455	→	2054, 2055
490, 590	→	2054, 2055
520, 525, 535	→	2054, 2055
625, 630, 670	→	2165,2171
2065, 2071	→	2165, 2171
2094	→	2095